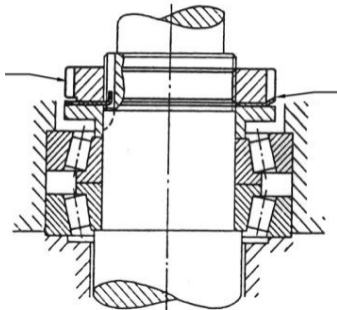


Example of application / Assembly data

slotted round nut for
hookspanners acc. to
DIN 1804 W



internal tab washer
acc. to DIN 462