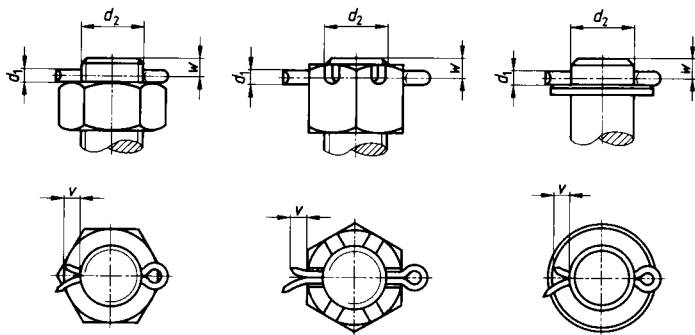


Table-choice of split pins



d (nom.)			1	1,6	2	2,5	3,2	4	5	6,3	8	10	13
d2	parts with thread*	above	3,5	5,5	7	9	11	14	20	27	39	56	80
		up to incl.	4,5	7	9	11	14	20	27	39	56	80	120
	parts without thread**	above	3	5	6	8	9	12	17	23	29	44	69
		up to incl.	4	6	8	9	12	17	23	29	44	69	110
v	min.	4	5	6	6	8	8	10	12	14	16	20	

* For application in parts with external thread the major diameter of the thread or the diameter of the plain part has to be used.

** For railways and constructions subjecting to alternating transverse forces, it is recommended to use the following larger split pin size.

The hole distance W depends on the construction part in which the split pin is inserted. If necessary see the standard of that particular part.